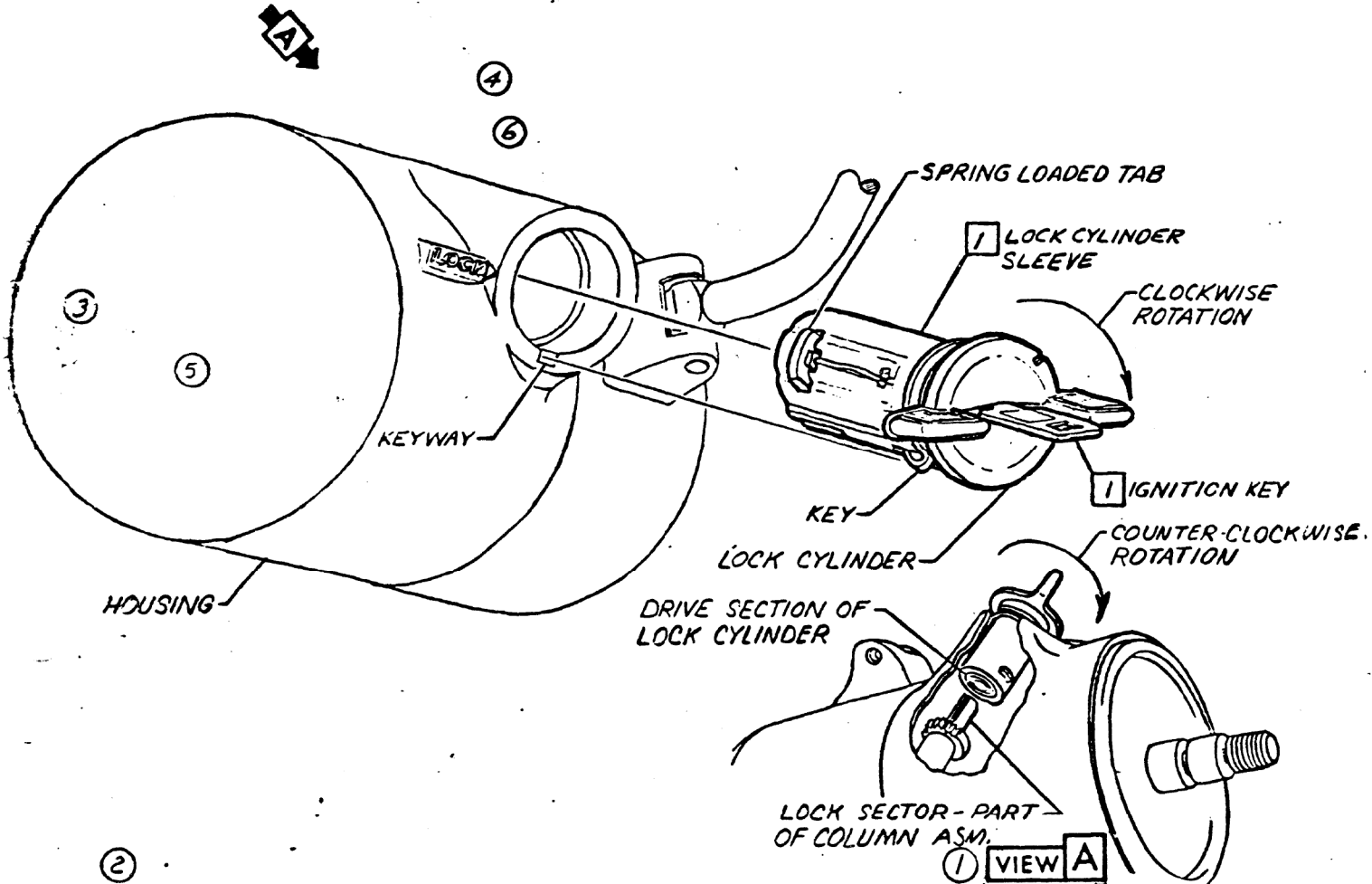


- 1 Furnished by Fisher Body. Use 7025120 repair kit (Rochester Products Division) in event repair or replacement of lock cylinder is required.



2

IGNITION SWITCH LOCK CYLINDER INSTALLATION INSTRUCTIONS

1. With ignition key in lock cylinder assembly, hold lock cylinder sleeve and rotate knob clockwise against stop when viewed from key end.
2. Insert cylinder into housing bore with key on lock cylinder sleeve aligned to keyway in housing. Push cylinder inward until end of lock cylinder touches end of lock sector.
3. Slowly rotate lock knob counterclockwise maintaining a light push inward on lock cylinder until drive section of lock cylinder mates with sector.
4. With lock cylinder and sector lined up, push lock cylinder inward until spring loaded tab pops into groove in housing bore. Check retention of lock cylinder in housing bore by pulling outward on lock cylinder. If lock cylinder pulls out, go back to Step #1 and start procedure over.
5. Check freedom of rotation of lock cylinder in housing. There must be a free spring return from "start" to "run" positions.



CHEVROLET MOTOR DIVISION, GMC				UPC	DATE	SYM	REVISION RECORD	AUTH.	DR	CK
IGNITION SWITCH MOUNTING				6	7-5-68	1	VIEW A ADDED	97196	ACA	
						2	IGN. SWITCH INST REVISED			
						3	PAINT NOTE ADDED	97085		
						4	ARROW PAINT DIM ADDED			EC
						5	FAINT NOTE REMOVED	22611	ACA	
						6	ARROW PAINT DIM. REMOVED			CF
15-16000 L.D.				B6						
DWG 4-15	JLB	REF: Prel.	L-		L-	95				
DATE REL 5-6		+ L-	L-		L-		X SHEET			